

FORGED BRASS BALL VALVE LFB Series



MAIN FEATURES

- Full bore, Two-Piece Design
- Quarter turn, Lever Operated
- Nickel Plating finishing
- Chrome polished forged Ball
- Suitable for Oil & Water
- End Connection : Threaded (ISO 228 G threads)
- Face to Face : Manufacturing Std.
- Rating : PN 16



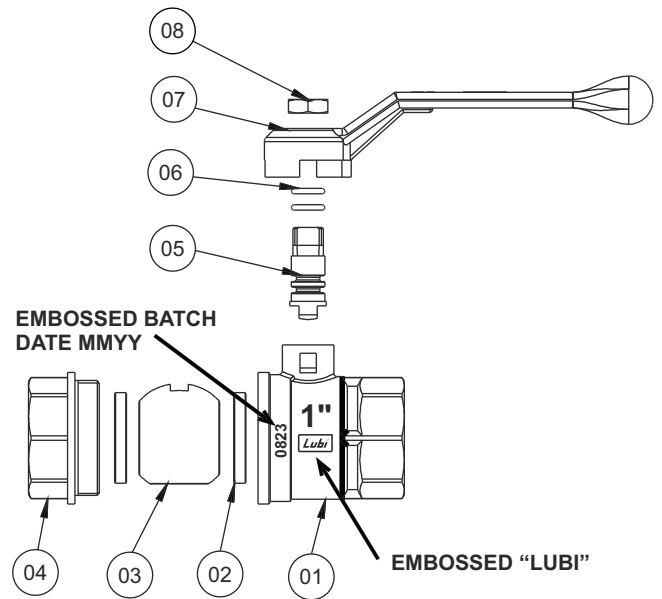
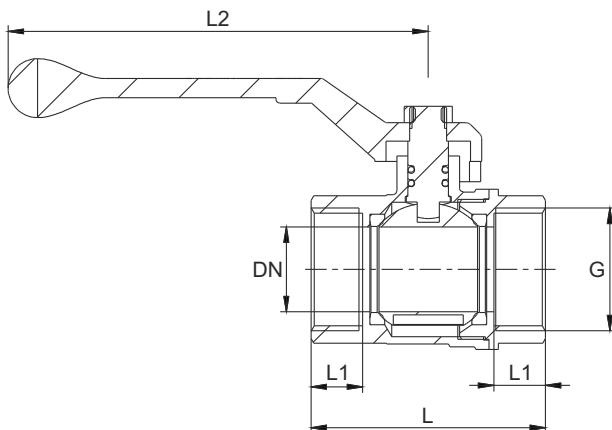
Test Pressure

Hydrostatic Shell Test	24 bar
Hydrostatic Seat Test	17.6 bar
Working Pressure	16 bar @ ambient temp.
Working Temperature	0°C to 100°C
Leakage	No Visible Leakage

Material of Construction

Sr. No.	Part Name	Material	Specification	Remark	Qty.
1	Body	Forged Brass	IS 6912 Gr. FLB	Nickel Plating	1
2	Seat	Teflon	PTFE	-	2
3	Ball	Forged Brass	IS 6912 Gr. FLB	Chrome polished	1
4	Bonnet	Forged Brass	IS 6912 Gr. FLB	Nickel Plating	1
5	Stem	Forged Brass	IS 6912 Gr. FLB	Nickel Plating	1
6	O-ring	Nitrile Rubber	NBR	70 ±5 ShA	Req.
7	Handle	Steel	Y102	Blue	1
8	Nut	Forged Brass	IS 6912 Gr. FLB	Nickel Plating	1

Dimensions



G	DN	L	L1	L2	WEIGHT/G
3/8"	9	41.1	11	85	106
1/2"	14.5	47.4	12	85	148
3/4"	19	54	12	85	223
1"	23	63.6	14	114	362
1-1/2"	38	87	17	136	788
2"	49	104	19	136	1260

Note: All Dimensions are in mm.

LUBI INDUSTRIES LLP

Lubi Corporate Campus - Near Tragad Under Pass, S.P. Ring Road, Tragad, Ahmedabad - 382 421. Gujarat, India. Phone : +91 - 79 - 61700100
Sales Enquiries: sales@lubivalves.com • www.lubivalves.com

Product Improvement is a continuous process at 'LUBI'. The data given in this publication is therefore subject to revision.

00.00.291223.0242

Customer Care Number
09824200800



ISO 9001

ISO 14001