

FLDS

**Dual Plate Wafer Type
Check Valve (Cast Iron)**



Dual Plate Wafer Type Check Valve (Cast Iron)

FLDS

MAIN FEATURES

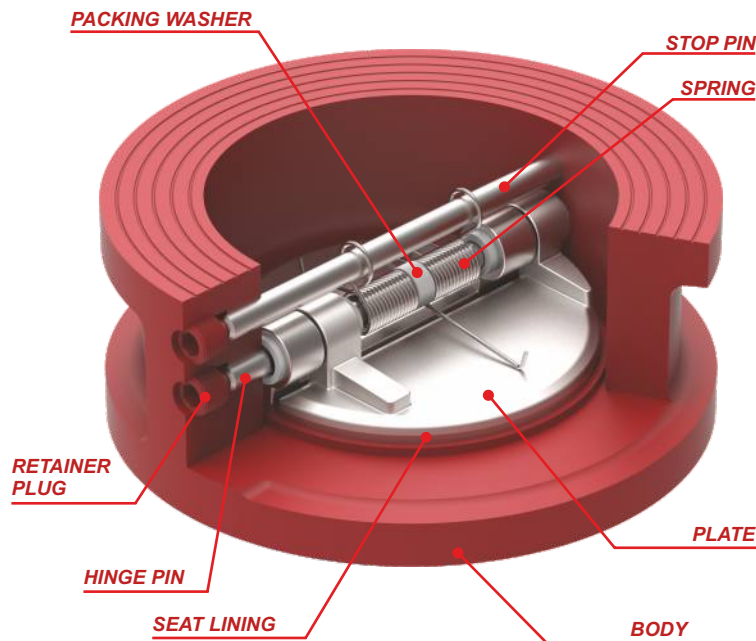
- We have designed these valves as per API 594 standard.
- It is a Non-return Valve (NRV) which is much stronger, lighter and smaller in size compared to swing check valve.
- There are no restriction on direction of installation i.e. it can be installed horizontally, vertically & due to spring tension closure it also can be installed for upside down flow.
- Nitrile Rubber Seat lining improves & gives long lasting life.
- More compact and occupies less space due to Wafer-type design.
- Due to spring assisted closure, water hammer effect is almost non-existent.
- Valve End Connections are suitable for the following flange standards:
I.PN6 II.PN10
III.PN16 IV.ANSI B Class-25
- Suitable for clean water only.

Working Temperature: - 18 to 80 °C

Pressure rating:

Hydrostatic Shell Test Pressure : 24.5 bar (300 psi).

Seat Test Pressure: 16 bar (230 psi).



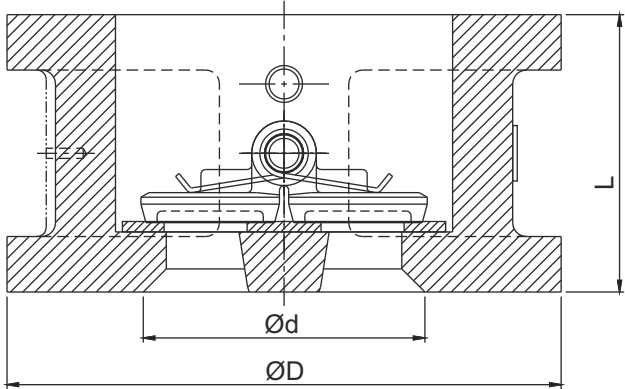
MATERIAL SPECIFICATIONS

Part Name	Material	Specification
1 Body	Cast Iron	Grade F.G.200
2 Plate	Stainless Steel	CF8
3 Seat Lining	Nitrile Rubber	NBR
4 Stop Pin	Stainless Steel	AISI 304
5 Hinge Pin	Stainless Steel	AISI 304
6 Spring	Stainless Steel	AISI 304
7 Packing Washer	Stainless Steel/PTFE	AISI 304/PTFE
8 Retainer Plug	Stainless Steel	AISI 304

Dual Plate Wafer Type Check Valve (Cast Iron)

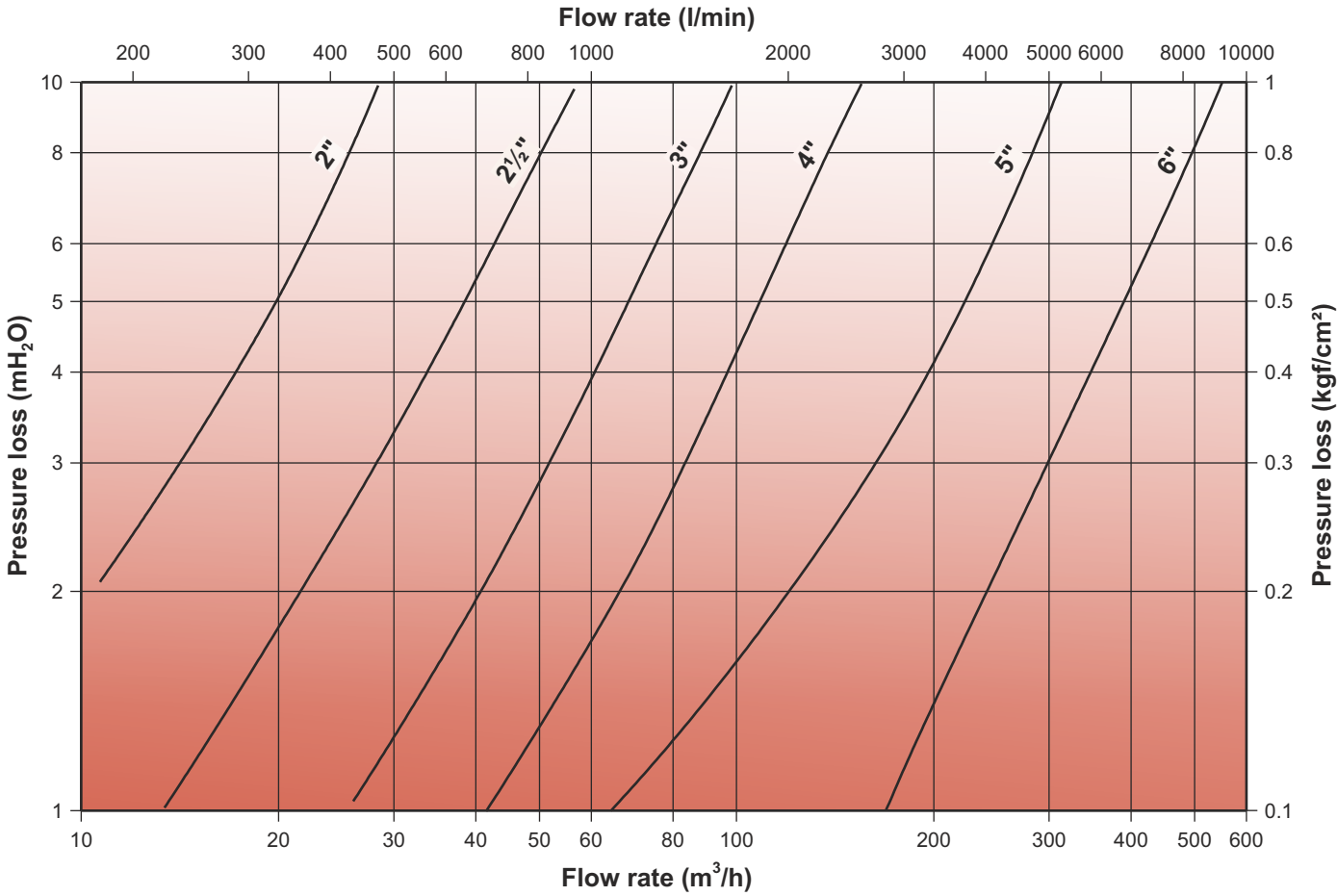
SIZE / DIMENSIONS

Model	Size (mm)	Size (Inches)	L*	ØD	Ød
FLDC20	50	2	54	102	50
FLDC25	65	2-1/2	60	119	65
FLDC30	80	3	67	134	80
FLDC40	100	4	67	172	100
FLDC50	125	5	83	193	118
FLDC60	150	6	95	220	150
FLDC80	200	8	127	275	200
FLDC100	250	10	140	335	250
FLDC120	300	12	181	405	300



Note: All Dimensions are in mm unless mentioned otherwise. * This dimension shall have a tolerance of ± 1.5 mm.

PRESSURE DROP CHART



LUBI INDUSTRIES LLP

Near Kalyan Mills, Naroda Road, Ahmedabad-380 025, INDIA.

Phone : +91 - 79 - 61700100, Fax No. :+91 - 79 - 61700399.

Sales Enquiries: sales@lubivalves.com

www.lubivalves.com

Product Improvement is a continuous process at 'LUBI'. The data given in this publication is therefore subject to revision.

00.00.010621.0214



ISO 9001



ISO 14001

Customer Care Number : 09824200800