

LBF SERIES

Butterfly Valves



## INTRODUCTION

- We have designed & manufacture the Lubi LBF series type of Butterfly Valves for General Utility Water applications as well as for HVAC applications.
- It is a type of quarter turn valve which means that it can be fully opened or closed when the disc is rotated a quarter turn.

## MAIN FEATURES

- Butterfly Valves are easy to open & close.
- They are easy to install due to their compact design & less space requirements at the place of installation.
- We provide Tight Sealing due to close interference between disc & liner. We also provide a Triple Stem Seal which prevents any leakage and also any foreign particles from entering the valve.
- The flow control lever as well as the gear unit are designed such that very low torque is required for controlling the valve. Also, the hand lever can be held in several positions whereby the disc position in valve is not affected by the flow pressure.
- These valves have very low pressure drop.
- We provide all our valves with CED coating which gives better corrosion resistance & hence gives long lasting life.

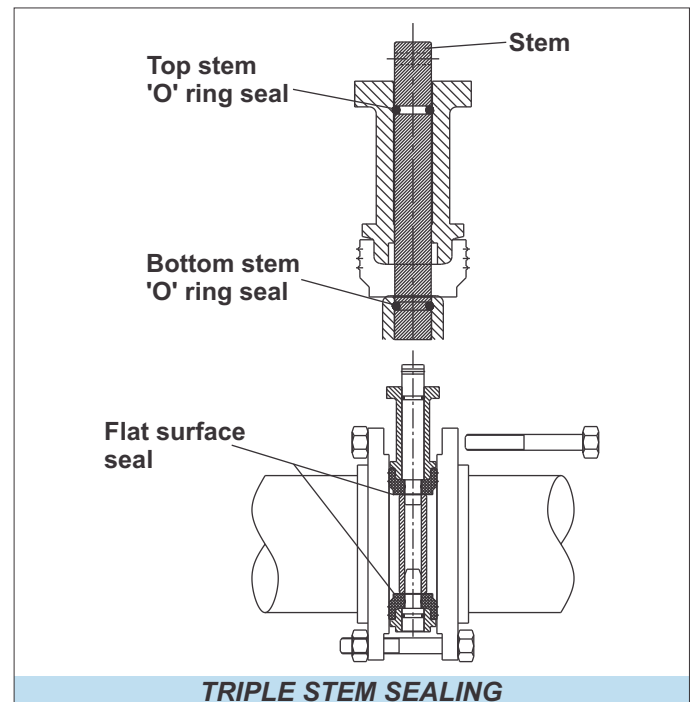
**Maximum Working Temperature: 110°C (230°F)**

## APPLICATIONS

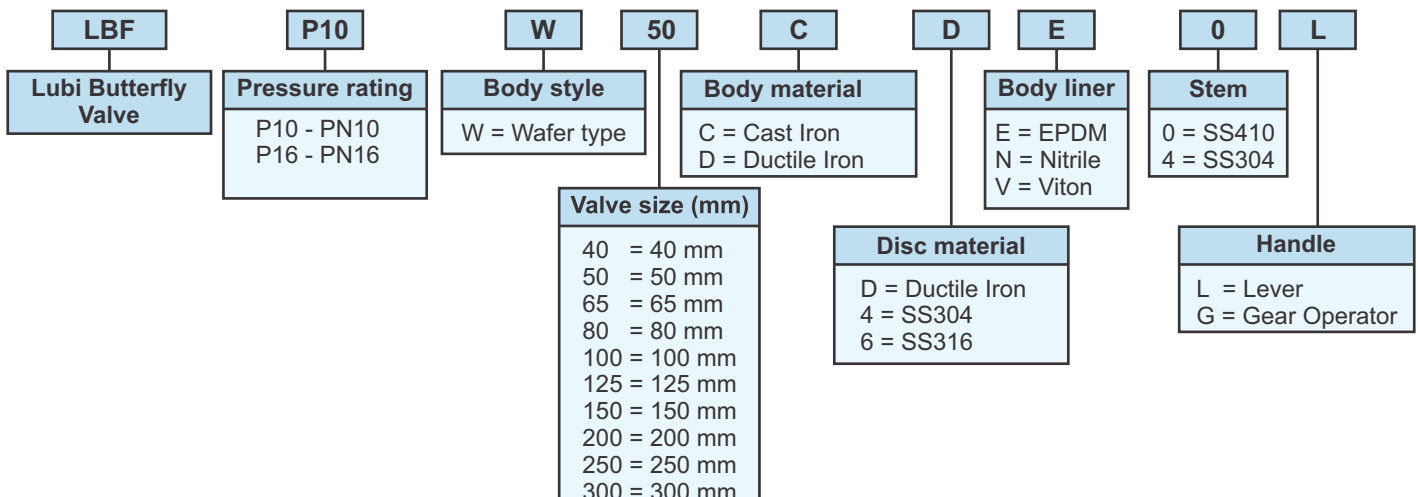
The main applications of this valve is for general utility water applications as well as HVAC applications.

The typical applications areas are as follow:

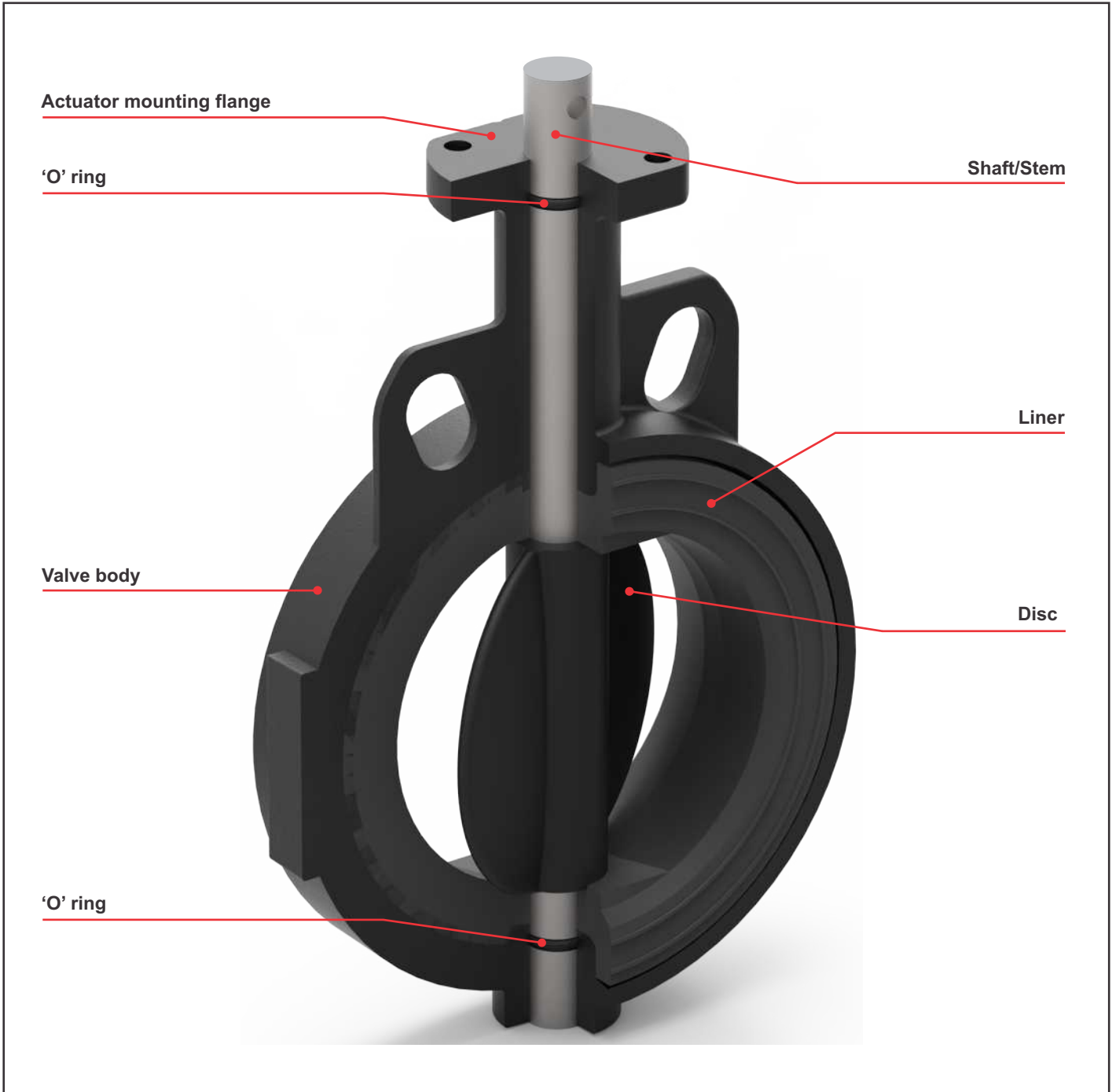
- On/off isolation
- Dead-end service/removal of down stream piping
- Industrial process water piping
- Municipal raw water intake
- Municipal chlorinated water systems
- Full vacuum
- Aeration and blower applications.



## TYPE KEYS



## DESIGN FEATURES

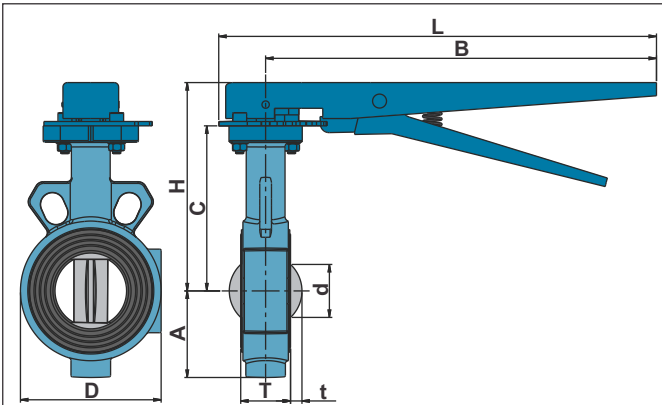


## MATERIAL OF CONSTRUCTION

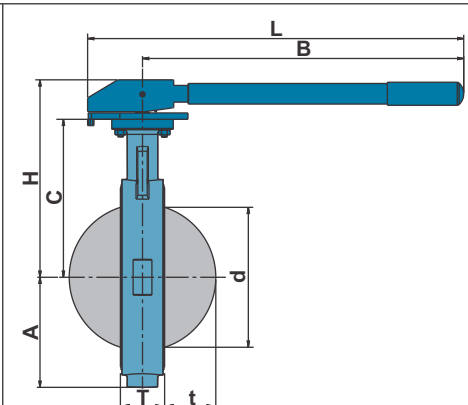
Part Name	Material
Valve Body	Cast Iron, Ductile Iron
Liner	EPDM, Nitrile , Viton
*Disc	Ductile Iron, CF8, CF8M, Al Bronze
Shaft/Stem	Carbon Steel (EN8), Stainless Steel AISI 410, Stainless Steel AISI 304

\* DN 40 available only in Ductile Iron & Al Bronze.

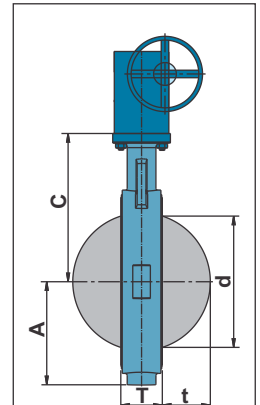
## TECHNICAL DATA



VALVE SIZE: DN 40 TO DN 150, DN 300



VALVE SIZE: DN 200 TO DN 250



VALVE SIZE:  
DN 40 TO DN 300

VALVE WITH  
GEAR UNIT

VALVE WITH FLOW CONTROL LEVER

Valve Size		Dimensions [mm]									Flange Mounting (ISO 5211)	Torque* [Nm]
mm	inch	T	C	A	D	d	t	Flow Control Lever				
								B	L	H		
DN40	1½	35	103	55	78	36	3	268	300	134	F05	4
DN 50	2	45	113	65	95	44	3	268	300	138	F05	10
DN 65	2½	48	118	70	105	60	9	268	300	147	F05	10
DN 80	3	48	127	79	123	74	16	268	300	156	F05	24
DN 100	4	54	150	96	157	96	24	268	300	179	F05	28
DN 125	5	58	165	107	179	120	34	268	300	194	F05 / F07	30
DN 150	6	58	185	125	211	144	46	268	300	215	F05 / F07	44
DN 200	8	61	235	150	261	198	70	397	463	290	F07	102
DN 250	10	74	260	185	322	248	90	515	608	325	F10	156
DN 300	12	85	285	204	369	300	111	508	610	345	F10	178

Note: \* A safety factor of 25% should be added to these figures, while sizing for an actuator.

### STANDARDS

Design	EN 593 / ISO 5752
Actuator mounting flange	ISO 5211
Testing	ISO5208 / API598 / EN 12266

### PRESSURE TESTS

	PN10	PN16
Hydrostatic Shell Test	15 bar (218 psi)	24 bar (350 psi)
Seat Test	11 bar (160 psi)	17.6 bar (256 psi)
Maximum Working Pressure	10 bar (145 psi)	16 bar (230 psi)

## LUBI INDUSTRIES LLP

Near Kalyan Mills, Naroda Road, Ahmedabad-380 025, INDIA.

Phone : +91 - 79 - 61700100, Fax No. :+91 - 79 - 61700399.

Sales Enquiries: sales@lubivalves.com

www.lubivalves.com

Product Improvement is a continuous process at 'LUBI'. The data given in this publication is therefore subject to revision.

02.02.230223.0124



ISO 9001



ISO 14001

Customer Care Number : 09824200800