

Triple Duty Valves



CONTENTS

INTRODUCTION	Page 3
FEATURES	Page 3
APPLICATIONS	Page 3
MATERIAL OF CONSTRUCTION	Page 4
TYPICAL INSTALLATION	Page 5
TYPE KEY	Page 6
PRESSURE VS TEMPERATURE RATINGS	Page 6
PRESSURE DROP CHART	Page 7
DIMENSIONS	Page 8
FLANGE DIMENSIONS	Page 9

INTRODUCTION

The Lubi LTV Series Triple Duty Valves save space and reduces purchase and installation costs by combining all the functions normally required on the discharge side of most HVAC systems into one convenient design. It features a calibrated balance valve, non-slam check valve, and positive shut-off valve all combined into one.

The calibrations on the Triple Duty Valve allows you to accurately set your system flow rate and it also helps you easily reset the valve after shut-off. The soft seat design of the disc prevents noise and potential damage that can be associated with valve chatter. It also provides positive shut-off allowing you to isolate the pump from the rest of your system. The non-slam check valve prevents backflow and gravity circulation in staged pumping and parallel pumping systems, preventing damage to the pump and unwanted heat transfer through your system.

With our wide range of sizes, end connections, and valve configurations the Lubi Triple Duty Valve is a great complement for your HVAC pump and system needs.

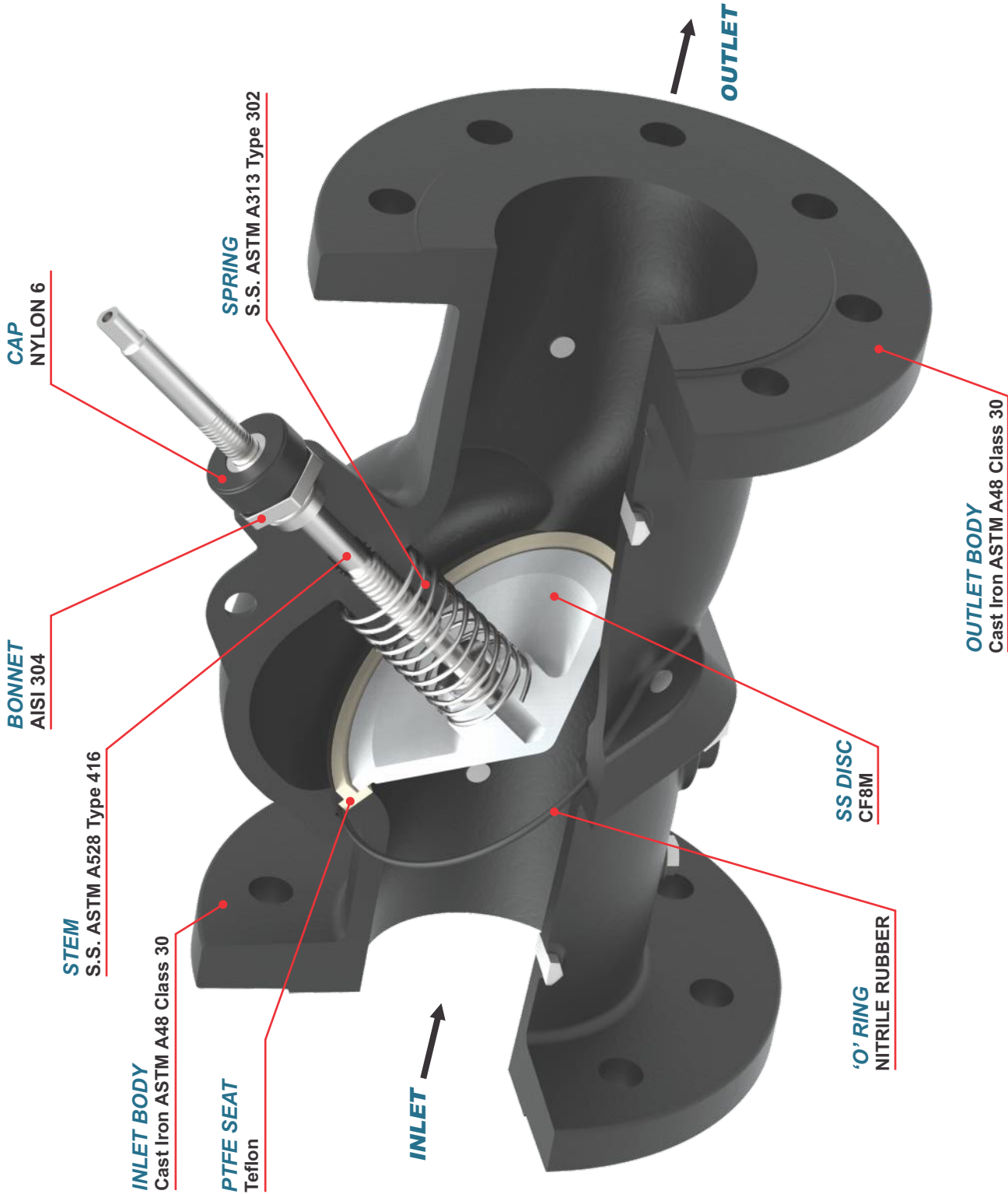
FEATURES

- Performs as spring-loaded non-slam check, balancing, shut-off and throttling valve.
- Soft seated and accurately guided spring loaded disc ensures a leak free seal.
- The triple duty valves have been designed using CFD techniques to minimize head loss.
- Valve can be inline or 90° degree configuration.
- Drain Plugs are provided at inlet and outlet of valve.
- Compact Design.
- Spring-loaded disc ensures positive sealing and eliminates chatter.
- Flanges as per PN16, PN25, ANSI125 and ANSI 250.

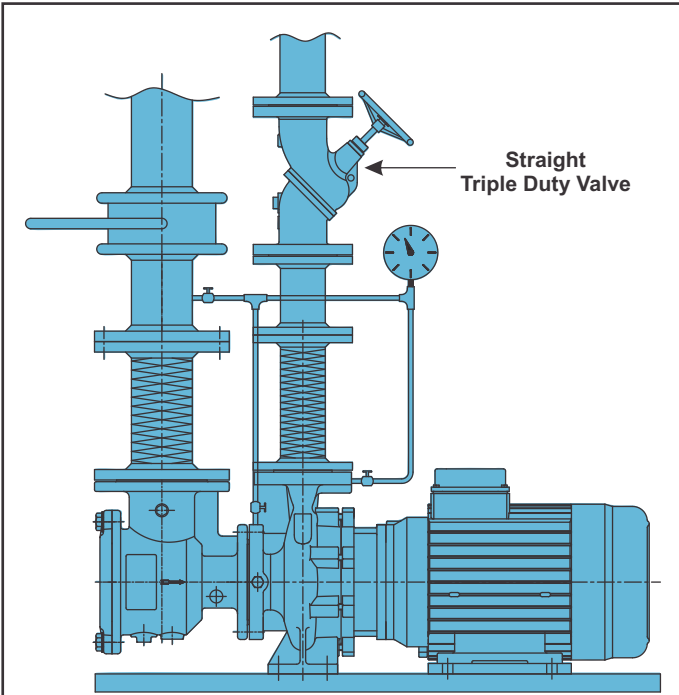
APPLICATIONS

- HVAC Chilled Water Plants for Air Conditioning of Buildings Shopping Malls, Auditoriums, Sports Complexes, Airports, etc.
- HVAC Chilled Water Plants for Industries like Pharmaceuticals, Food & Beverage, Chemical Manufacturing etc.

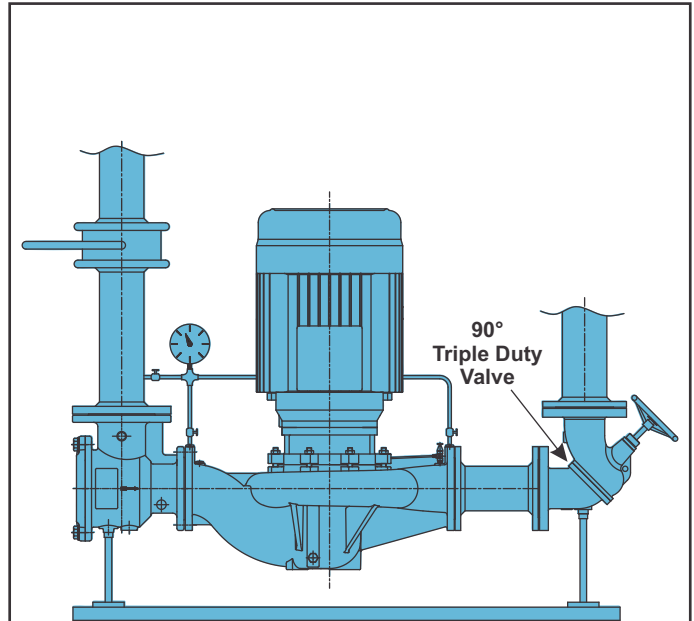
MATERIAL OF CONSTRUCTION



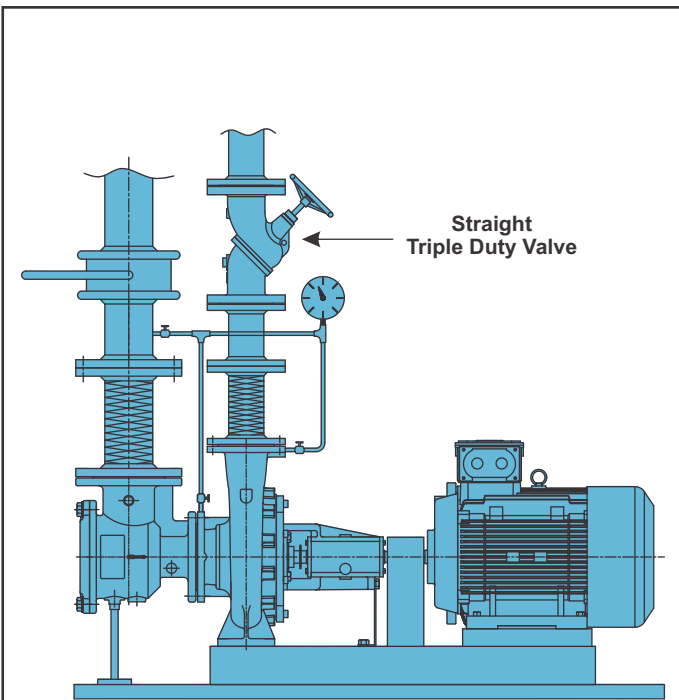
TYPICAL INSTALLATIONS



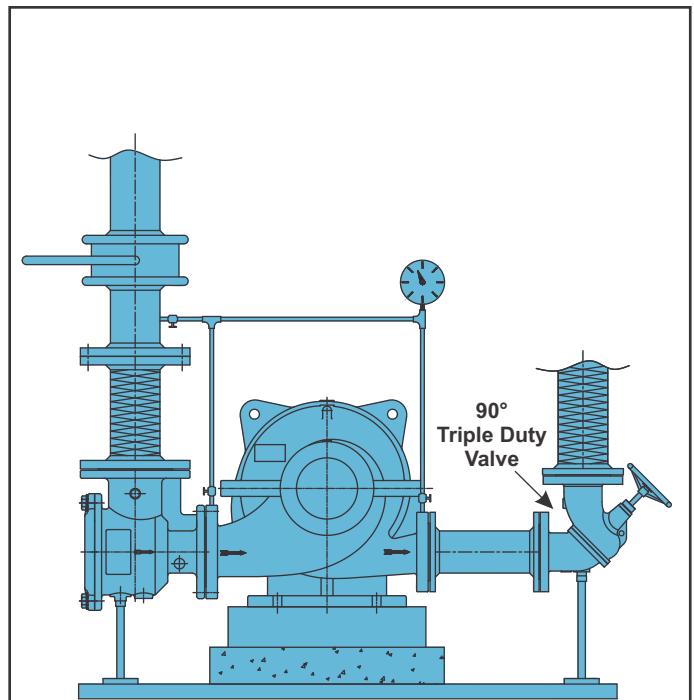
**END-SUCTION CLOSE
COUPLED MOTOR PUMP**



VERTICAL IN-LINE PUMP



**END-SUCTION PUMP COUPLED
WITH MOTOR ON BASE FRAME**



HORIZONTAL SPLIT CASE PUMP

TYPE KEY

LTV

Type range

LTV = Lubi Triple Duty Valve

65

System connection size

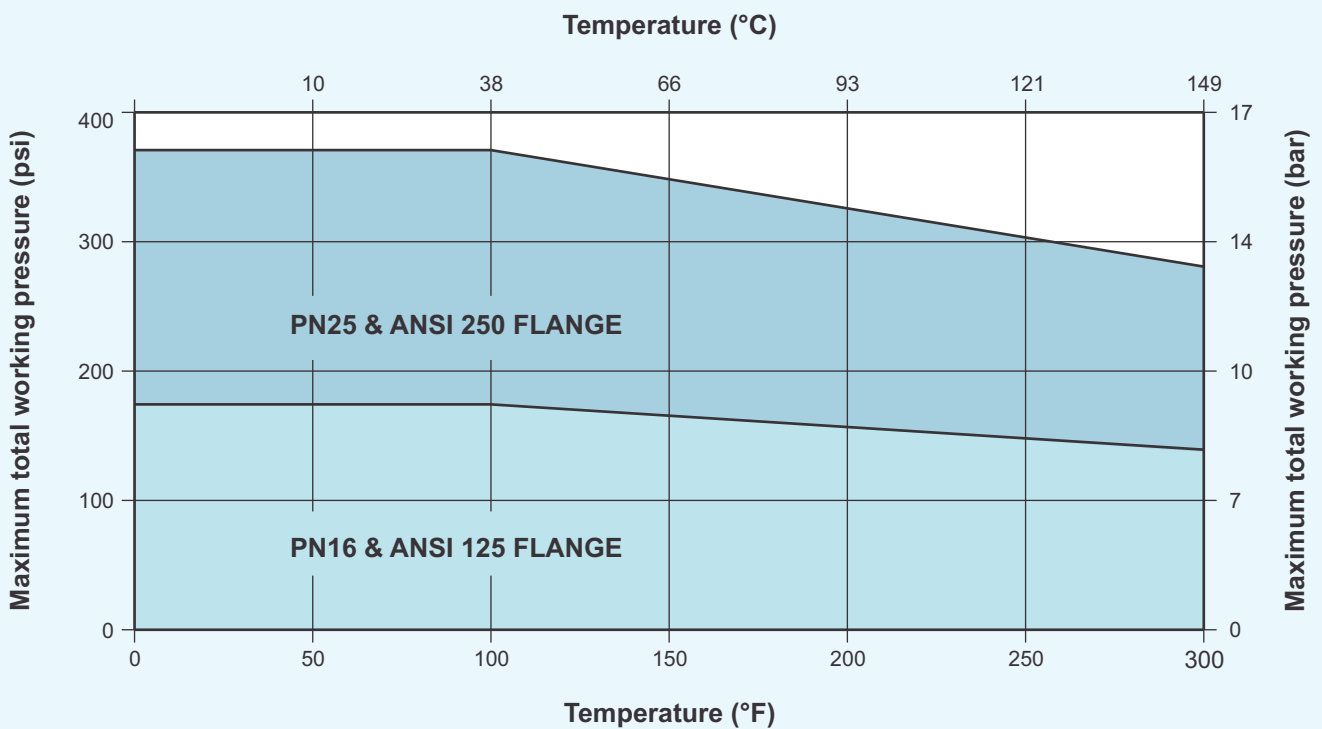
- 65 = 65 mm
- 80 = 80 mm
- 100 = 100 mm
- 125 = 125 mm
- 150 = 150 mm
- 200 = 200 mm
- 250 = 250 mm
- 300 = 300 mm

2A

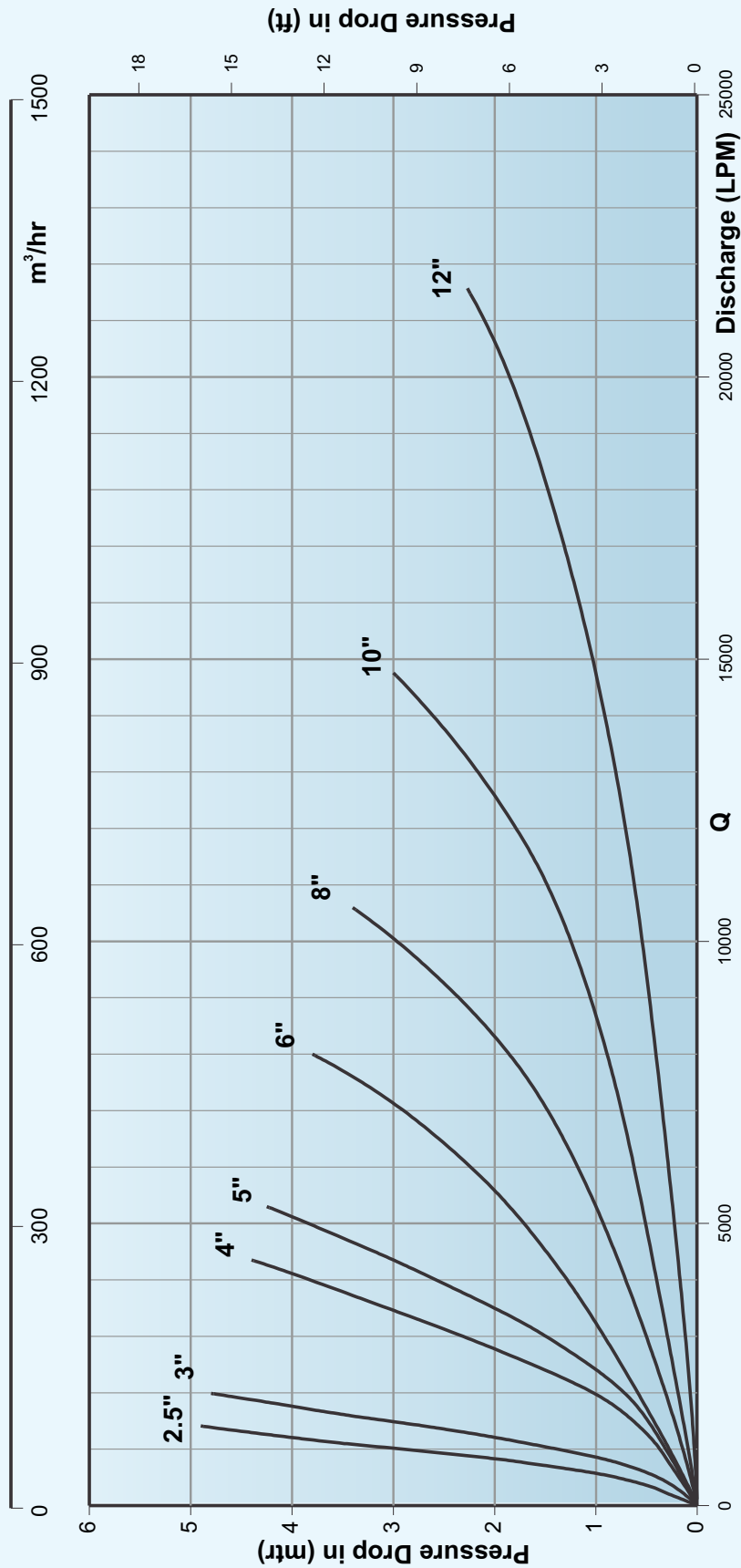
Pressure rating

- 1 = ANSI 125 (125 psi)
- 2A = PN 16 (16 bar)
- 2B = PN 25 (25 bar)
- 3 = ANSI 250 (250 psi)

PRESSURE vs TEMPERATURE RATINGS

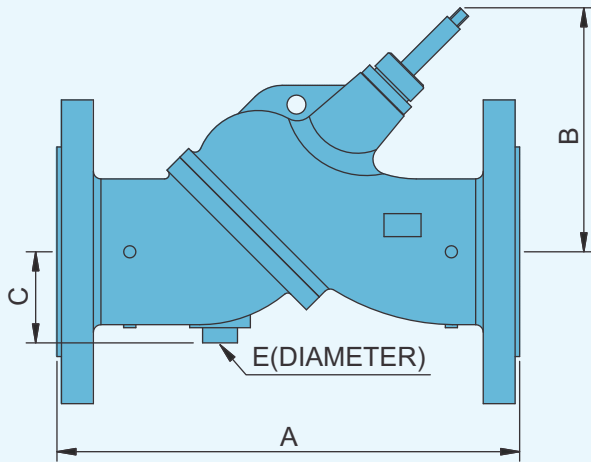


PRESSURE DROP CHART

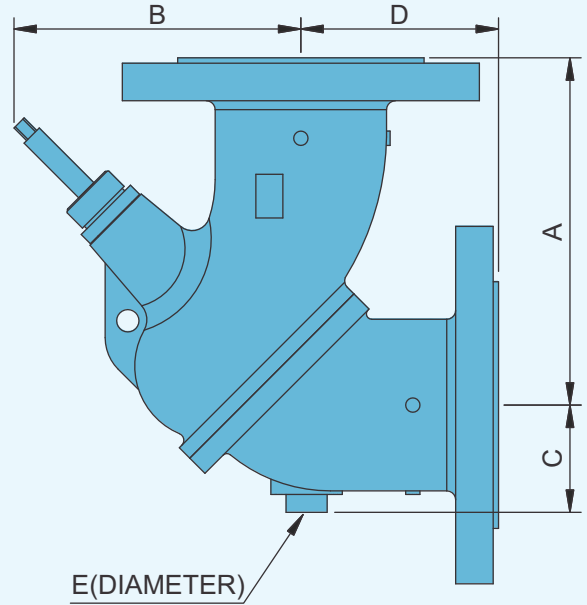


DIMENSIONS

LTV STRAIGHT CONFIGURATION



LTV 90 DEGREE CONFIGURATION



MODEL	CONNECTION SIZE (INS.)	A	B (fully open)	C	D	E	Weight Kg.
LTV STRAIGHT (mm)	2.5	305	166	53	-	23	14.10
	3	305	180	60	-	23	16.15
	4	356	200	72	-	30	25.55
	5	445	243	85	-	30	41.00
	6	525	283	102	-	49	68.00
	8	710	308	128	-	55	130.00
	10	760	360	156	-	55	210.00
	12	960	360	170	-	55	410.00
LTV ANGLE (mm)	2.5	195	166	53	111	23	14.10
	3	195	180	60	111	23	16.15
	4	228	200	72	129	30	25.55
	5	272	85	85	173	30	41.00
	6	318	283	102	208	49	68.00
	8	447	308	128	264	55	130.00
	10	507	360	156	254	55	210.00
	12	582	360	170	380	55	410.00

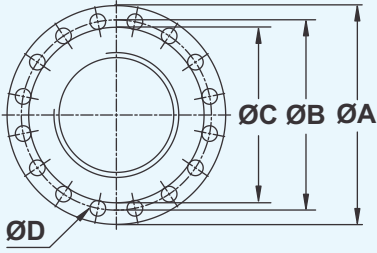
FLANGE DIMENSIONS

Flange size	Figure	Rating	A	B	C	ØD x Nos. of holes
50 mm (2 inch)		PN 16	Ø165	Ø125	Ø102	Ø18 x 4
		PN 25	Ø165	Ø125	Ø102	Ø18 x 4
		ANSI 125	Ø150	Ø121	-	Ø3/4" x 4
		ANSI 250	Ø165	Ø127	Ø106	Ø3/4" x 8
65 mm (2½ inch)		PN 16	Ø185	Ø145	Ø122	Ø18 x 4
		PN 25	Ø185	Ø145	Ø122	Ø18 x 8
		ANSI 125	Ø180	Ø140	-	Ø3/4" x 4
		ANSI 250	Ø190	Ø149	Ø125	Ø7/8" x 8
80 mm (3 inch)		PN 16	Ø200	Ø160	Ø138	Ø18 x 8
		PN 25	Ø200	Ø160	Ø138	Ø18 x 8
		ANSI 125	Ø190	Ø152	-	Ø3/4" x 4
		ANSI 250	Ø210	Ø168	Ø144	Ø7/8" x 8
100 mm (4 inch)		PN 16	Ø235	Ø180	Ø158	Ø18 x 8
		PN 25	Ø235	Ø190	Ø158	Ø22 x 8
		ANSI 125	Ø230	Ø191	-	Ø3/4" x 8
		ANSI 250	Ø255	Ø200	Ø176	Ø7/8" x 8

FLANGE DIMENSIONS

Flange size	Figure	Rating	A	B	C	ØD x Nos. of holes
125 mm (5 inch)		PN 16	Ø270	Ø210	Ø188	Ø18 x 8
		PN 25	Ø270	Ø220	Ø188	Ø25 x 8
		ANSI 125	Ø255	Ø216	-	Ø7/8" x 8
		ANSI 250	Ø280	Ø235	Ø211	Ø7/8" x 8
150 mm (6 inch)		PN 16	Ø300	Ø240	Ø212	Ø22 x 8
		PN 25	Ø300	Ø250	Ø212	Ø25 x 8
		ANSI 125	Ø280	Ø241	-	Ø7/8" x 8
		ANSI 250	Ø320	Ø270	Ø246	Ø7/8" x 12
200 mm (8 inch)		PN 16	Ø360	Ø295	Ø268	Ø22 x 12
		PN 25	Ø360	Ø310	Ø268	Ø25 x 12
		ANSI 125	Ø345	Ø299	-	Ø7/8" x 8
		ANSI 250	Ø380	Ø330	Ø303	Ø1-1/8" x 12
250 mm (10 inch)		PN 16	Ø425	Ø355	Ø320	Ø25X12
		PN 25	Ø425	Ø370	Ø320	Ø29X12
		ANSI 125	Ø405	Ø362	-	Ø1"X12
		ANSI 250	Ø445	Ø387	Ø357	Ø1-1/4"X16

FLANGE DIMENSIONS

Flange size	Figure	Rating	A	B	C	ØD x Nos. of holes
300 mm (12 inch)		PN 16	Ø485	Ø410	Ø378	Ø25X12
		PN 25	Ø485	Ø430	Ø378	Ø29X16
		ANSI 125	Ø485	Ø432	-	Ø1"X12
		ANSI 250	Ø520	Ø451	Ø418	Ø1-1/4"X16

Note: All dimensions in mm unless otherwise noted.

LUBI INDUSTRIES LLP

Near Kalyan Mills, Naroda Road, Ahmedabad-380 025, INDIA.
Phone : +91 - 79 - 61700100, Fax No. :+91 - 79 - 61700399.

Sales Enquiries: indsales@lubipumps.com, expsales@lubipumps.com

www.lubipumps.com

Product Improvement is a continuous process at 'LUBI'. The data given in this publication is therefore subject to revision.

00.00.270916.0042



ISO 9001



ISO 14001

Customer Care Number : 09824200800