

FORGED BRASS CHECK VALVE LCB Series



MAIN FEATURES

- Screwed in Bonnet
- Brass original color
- Suitable for Oil & Water
- Suitable for Horizontal & Vertical position
- Guided core for proper sealing
- End Connection : Threaded (ISO 228 G threads)
- Face to Face : Manufacturing Std.
- Rating : PN 16

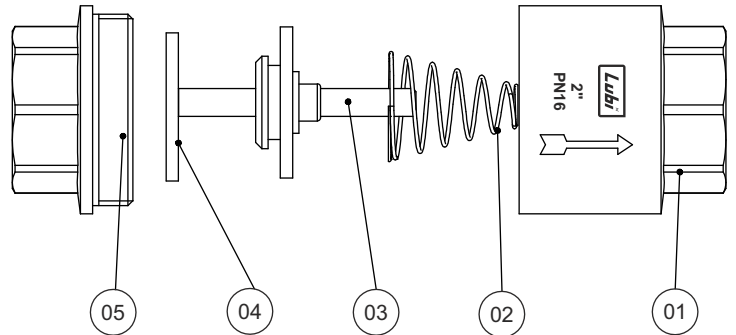
Test Pressure

Hydrostatic Shell Test	24 bar
Hydrostatic Seat Test	17.6 bar
Working Pressure	16 bar @ ambient temp.
Working Temperature	0°C to 90°C
Leakage	No Visible Leakage

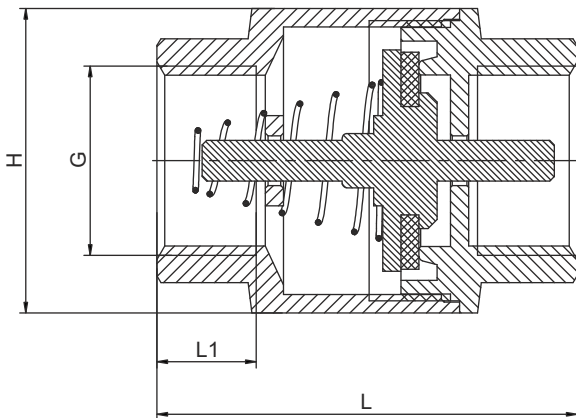


Material of Construction

Sr. No.	Part Name	Material	Specification	Qty.
1	Body	Forged Brass	IS 6912 Gr.FLB	1
2	Spring	Stainless Steel	SS304	1
3	Core	Forged Brass	IS 6912 Gr.FLB	1
4	Gasket	Nitrile Rubber	NBR	1
5	Bonnet	Forged Brass	IS 6912 Gr.FLB	1



Dimensions



G	L	L1	H	WEIGHT/G
1"	57	12.5	45.9	240
1 1/4"	60.5	13.5	58.7	387
1 1/2"	71	14.5	68	607
2"	74.5	15.5	84	857

Note: All Dimensions are in mm.

LUBI INDUSTRIES LLP

Lubi Corporate Campus - Near Tragad Under Pass, S.P. Ring Road,
Tragad, Ahmedabad - 382 421. Gujarat, India. Phone : +91 - 79 - 61700100
Sales Enquiries: sales@lubivalves.com • www.lubivalves.com

Product Improvement is a continuous process at 'LUBI'. The data given in this publication is therefore subject to revision.

00.00.040324.0246

Customer Care Number
09824200800



ISO 9001 ISO 14001